

Nylon Cable Gland

FP250



The nylon cable gland is the optimum choice for fire alarm cables.

Features and benefits:

- Suitable for indoor and outdoor applications.
- Suitable for use with all Fire Alarm Cables
- "Cable Grab Claw," design - to grip cable firmly
- Compressible entry thread seals moulded into gland body
- Available in two colours: red and white
- Supplied complete with locknut

Kit comprises:

Nylon Gland
Nylon lock nut

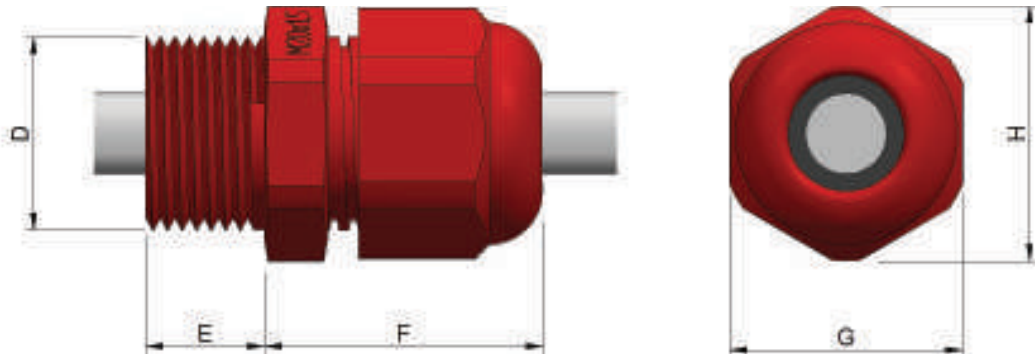


Technical Information:

Material: Flame Retardent Nylon
 IP 68 rated
 Complies with BS EN 50262

Specifications

Gland Kit Reference			Cable Dimensions mm		Gland Dimensions mm				
Design Reference	Size	Qty per Kit	Cable Diameter Ø mm		Entry Thread (D)	Thread Length (E)	Protrusion Length (F)	Hexagon	
			Min	Max				A/F (G)	A/C (H)
403P*52	20	100	6	12	M20x1.5	12	30	24	26.5



NYLONCABLEGLANDFP25026062014

Prysmian Cables & Systems Limited,
 Oak Road, Wrexham Industrial Estate, Wrexham, LL13 9PH, UK

Commercial Enquiries,
 Sales Office Tel: 0845 767 8345,
 International Sales Office Tel: +44 2380 295481

www.biconcomponents.co.uk

