

A1/A2 Gland Kit KD409 Series



The best industrial brass gland for unarmoured cables.

Features and benefits:

- Indoor & Outdoor type for unarmoured cable
- Brass indoor and outdoor gland and accessories
- For circular, unarmoured plastic or rubber sheathed cables
- Suitable for most climatic conditions, weatherproof and waterproof

Kit comprises

A1/A2 Gland
Brass Locknut
Nylon Sealing Washer
PCP Shroud
(2 per kit up to and including 25mm size)

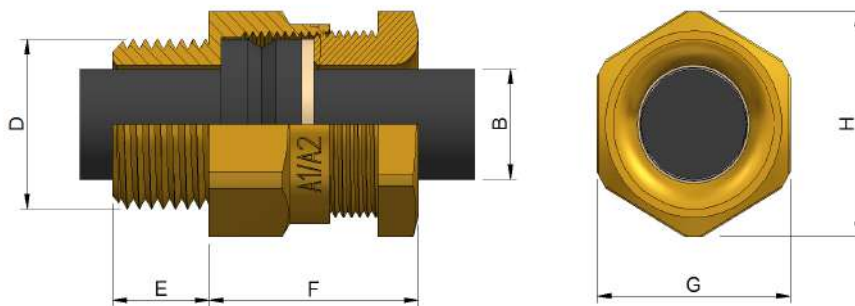


Technical Information:

- Suitable for use with all unarmoured cables
- CuZn39Pb3 brass alloy used for guaranteed strength and performance
- Complies with BS EN 62444:2013 & BS 6121-1:1989
- Service temperature range -20°C to + 90°C
- Gland rated to IP66 with use of suitable sealing washer or thread sealant at gland interface
- Nickel Plated versions available

Specifications

Gland Kit Reference			Cable Dimensions mm			Gland Dimensions mm				
Design Reference		Size	Qty per Kit	Cable Diameter \varnothing (B) mm		Entry Thread (D)	Thread Length (E)	Protrusion Length (F)	Hexagon	
Standard	Nickel plated	Metric		Min	Max				A/F (G)	A/C (H)
KD409-51	KD409-51V	16	2	3.5	8.5	M16x1.5	10.0	20	19	21.5
KD409-71	KD409-71V	20ss	2	3.5	8.5	M20x1.5	10.0	20	22	24.9
KD409-52	KD409-52V	20s	2	8.0	11.5	M20x1.5	10.0	22	22	24.9
KD409-53	KD409-53V	20	2	11.0	13.5	M20x1.5	10.0	22	24	27
KD409-55	KD409-55V	25	2	13.0	19.5	M25x1.5	10.0	25	30.5	34
KD409-56	KD409-56V	32	1	19.0	25.5	M32x1.5	10.0	25	42.4	48
KD409-57	KD409-57V	40	1	25.0	32.0	M40x1.5	15.0	33	47.2	53.6
KD409-58	KD409-58V	50s	1	31.5	37.0	M50x1.5	15.0	30	55	60
KD409-59	KD409-59V	50	1	36.5	43.0	M50x1.5	15.0	30	56.4	61.5
KD409-60	KD409-60V	63s	1	42.5	50.0	M63x1.5	15.0	34	70.1	77.2
KD409-61	KD409-61V	63	1	49.5	55.0	M63x1.5	15.0	32	75	83
KD409-62	KD409-62V	75s	1	54.5	61.0	M75x1.5	15.0	32	80	87.4
KD409-63	KD409-63V	75	1	60.5	67.0	M75x1.5	15.0	40	85	95



Prysmian Cables & Systems Limited,
Oak Road, Wrexham Industrial Estate, Wrexham, LL13 9PH, UK

Commercial Enquiries,
Sales Office Tel: 0845 767 8345,
International Sales Office Tel: +44 2380 295481

www.biconcomponents.co.uk