

UC^{CONNECT} Category 5e LJ6C Punch Down Module



Cat5e LJ6C Punch Down Module

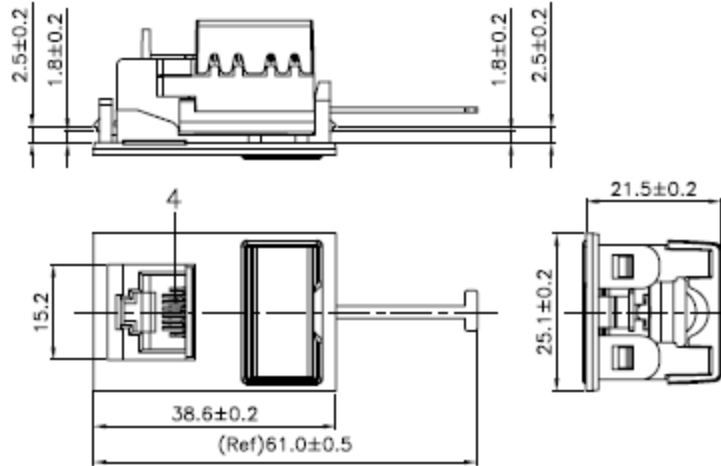
- Cat5e compliant performance
- Fully compatible with our full range of faceplates
- Fits into 25 mm back-box
- Fits into standard floor box plates

Specification

Item	Description
RJ45 Plastic housing	ABS + PC
RJ45 jack contact material and finish	Phosphor Bronze Contact area : Min 3 mm 50 micro-inch Gold plated over Nickel colour
IDC terminal and finish	Phosphor Bronze with min, 50 micro-inch Tin plated
Wire size compatibility	22-26 AWG solid wire
Housing	ABS
Dimensions	38mm x 25mm x 21mm
Performance	
IDC cap colour code supports both wiring schemes TIA 568A & 568B	
Insertion force	20N Max
Retention strength	7.7kg between jack and plug
Operating temperature	-10°C to 60°C
Durability	Jack 750 cycles

UC^{CONNECT} Category 5e LJ6C Punch Down Module

Construction



Technical Data

Material Code	Material Description	Description Code	Weight	Items per Packaging Unit
1021254	YMOBP00094 Cat5e UTP 38x25 Module 180° Punch Down in White	UC C300 MO TR U WH	9,8g	1 or 50
Related Products				
Material Code	Material Description	Description Code	Weight	Items per Packaging Unit
1021331	YFPBP00125 Single port UK frame 86x86 (LJ6C Type)	UC CACC FP 01 6C	8g	1 or 50
1021332	YFPBP00126 Dual port UK frame 86x86 (LJ6C Type)	UC CACC FP 02 6C	8g	1 or 50

© PRYSMIAN GROUP 2013, All Rights Reserved

All sizes and values without tolerances are reference values. Specifications are for product as supplied by Prysmian Group: any modification or alteration afterwards of product may give different result.

The information contained within this document must not be copied, reprinted or reproduced in any form, either wholly or in part, without the written consent of Prysmian Group. The information is believed to be correct at the time of issue. Prysmian Group reserves the right to amend this specification without prior notice. This specification is not contractually valid unless specifically authorised by Prysmian Group.