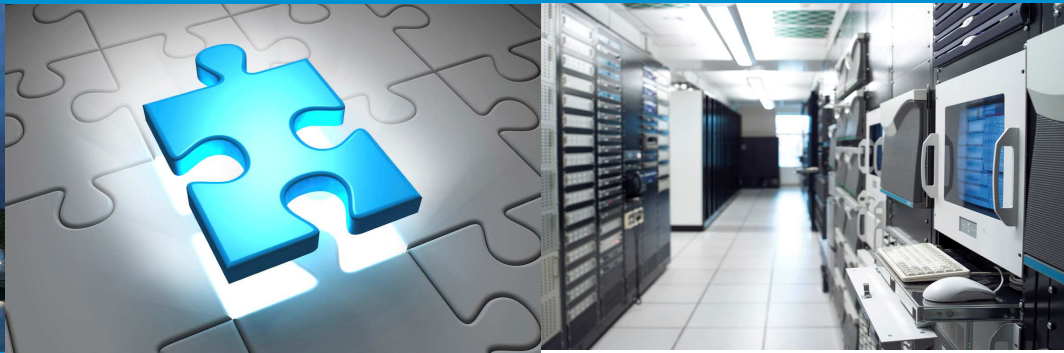




Datacom Connectivity



Category 6 LJ6C Module

Issue date: 10-11-12

Supersedes: 02/10



Value Innovation is a way of looking at the world. By combining market insight with technological know-how and building strong, long-lasting relationships, we add value to your business with advanced communication solutions and services that are designed to last. No matter how complex your challenge, we have a product or solution that will do more than meet your needs. New applications, breakthrough cables or complete network designs - it's all part of what we call Value Innovation, and it's what drives us.



#### Cat6 LJ6C Module

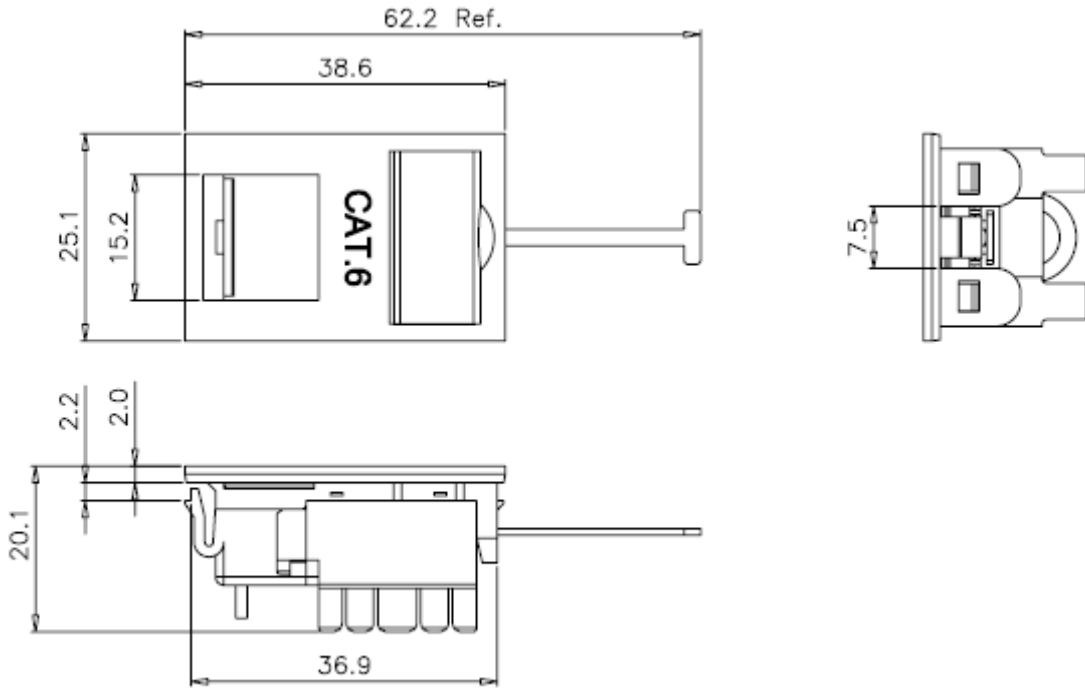
- Cat6 compliant performance
- Fully compatible with our full range of faceplates
- Fits into 25 mm back-box
- Fits into standard floor box plates
- All our UC Range of modules and adaptors are compatible with MK K18x Faceplates.

#### Specification

Item	Description
RJ45 Plastic housing	ABS + PC
RJ45 jack contact material and finish	Phosphor Bronze
	Contact area : Min 3 mm 50 micro-inch Gold plated over Nickel colour
IDC terminal and finish	Phosphor Bronze with min, 50 micro-inch Tin plated
Wire size compatibility	23-26 AWG solid wire
Housing	ABS
Dimensions	38.6mm x 25.1mm x 20.1mm

#### Performance

IDC cap colour code supports both wiring schemes TIA 568A & 568B	
Insertion force	900 gm for 8 contacts
Retention strength	7.7kg between jack and plug
Operating temperature	-10°C to 60°C
Durability	Jack 750 cycles



#### Technical data

Material code	SAP Description	Material Description	Weight	Items per packaging unit
1021267	UC 400 MO TR U WH	Cat6 UTP 38 x 25 Module	9.8g	1 or 50

#### Related Products

Material code	Material Description		Weight	Items per packaging unit
1021331	UC CACC FP 01 6C	Single Port UK Frame (LJ6C Type)	8g	1 or 50
1021332	UC CACC FP 02 6C	Dual Port UK Frame (LJ6C Type)	8g	1 or 50